
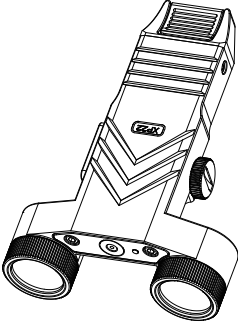


Frontside



XP22

Dual Head Weapon Light



USER MANUAL

Thank you for purchasing XP22. Please read this manual carefully before use and keep it for future reference!

PRODUCT DESCRIPTION

The BRINYTE XP22 is a powerful, easy-to-use, 1200 lumens double-headed weapon light suitable for a variety of actual combat scenarios. It uses 2 LED, a unique and fast magnetic charging port design, with functions such as flashing, electronic key lock, instantaneous lighting, and intelligent battery indicator, which can meet the lighting needs and habits of different users. In short, XP22 will be your competent partner for actual practical experience!

PRODUCT FEATURES

- ◆ Electronic lock key design
- ◆ Special magnetic charging design, faster charging
- ◆ Tempered glass lens, anti-abrasion, anti-scratch and drop-resistant
- ◆ With overcharge, overdischarge and overheat protection functions
- ◆ Vertical switch design, holding the gun more convenient and stable
- ◆ Charging intelligent power indication design, with flashing, instant lighting and other functions
- ◆ Equipped with 1100mAh integrated lithium-ion battery, more durable and long-lasting
- ◆ The screw rod is fastened and assembled on the gun body to easily resolve the impact of the gun's recoil
- ◆ Using aviation-grade aluminum AL-6061-T6, and military grade 3 hard anodized on surface

INSIDE THE BOX

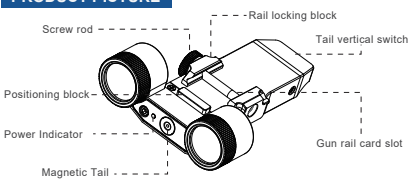
XP22 (with battery)×1, Different sizes positioning block×1, Screws×2, Magnetic Charging Cable×1, User Manual×1.

SPECIFICATIONS

ANSI/NEMA FL1	High	Strobe
±% Output	1200 Lumens	1200 Lumens
⌚ Runtime	70 mins	/
🔊 Max Intensity	17000 cd	
✓ Impact Resistant	1m	
🛡️ Protection Level	IP66	
📏 Beam Distance	260m	
📏 Dimension	74mm(Head Dia)*102.1mm(Length)/ 2.91in(Head Dia)*4.02in(Length)	
📏 Net Weight	100g/3.53oz(Including battery)	

Notice: Stated data has been measured according to the international flashlight test standards ANSI/NEMA FL1 using one Brinyte lithium polymer battery (3.7V 1100mAh) under laboratory conditions. The parameters are approximate and may vary among flashlights, batteries, and environment.

PRODUCT PICTURE



SPECIFICATIONS

ON/OFF

In non-locking mode, click the switch to turn ON/OFF.

ENTERING STROBE

In non-locking mode, double click into STROBE mode and click again to turn it off.

INSTANTLY LIT

In the non-locking mode and the OFF state, long press the switch to turn on the highligh mode, and release the switch to turn back the OFF state.

ELECTRONIC LOCK FUNCTION TO PREVENT ACCIDENTAL TOUCH

In the ON state, press and hold the switch for 5s to enter the locking mode, and the it will flash twice to remind when the switch is locked successfully; After the key is locked, press and hold the switch for 5s, then the it will flash once to remind it to unlock.

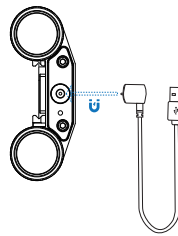
ASSEMBLY INSTRUCTIONS

After loosening the screw on the product, press it in to assemble the product on the corresponding rail of the gun, and then tighten the screw.

Backside

FLASHLIGHT CHARGING

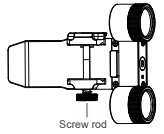
- GREEN
Charged fully
- RED
Charging



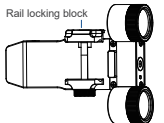
Connect the USB port to a power supply, then attach the charging cable with the charging port.

It takes about 2h 30mins to fully charge the light for once time.

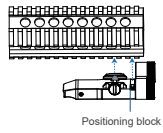
INSTALLATION



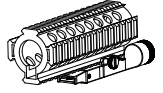
① Rotate the screw rod to stop when the gap between the screw head and the barrel reaches the maximum.



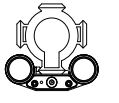
② Push the screw rod in the vertical direction, and let the screw drive the guide rail locking block to move together, so that the gap between the guide rail locking block and the barrel can be maximized.



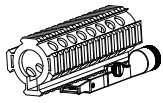
③ The screw rod and positioning block are installed correspondingly to the groove of the gun rail and the gun rail is clamped.



④ Rotate and tighten the screw rod until it stops. At this time, the clamping force between the rail locking block and the gun rail reaches the maximum.



⑤ Assembled state



⑥ Disassembly: Rotate the screw rod and then push the screw rod toward the barrel to maximize the gap between the rail locking block and the gun rail, then the gun rail can be taken out.

MAINTENANCE

- ◆ Do not disassemble or modify the product, as this can result in product failure or malfunction;
- ◆ Remove dust and grease from the light's threads and O-rings in time, and regularly clean the threads, springs and battery contacts;
- ◆ When storing the flashlight for long periods, fully charge the battery and remove it from the flashlight then store the battery safely to avoid leakage or short circuit;
- ◆ Before storing the flashlight, dry any rain, snow, or moisture off the light;
- ◆ Unscrew the tailcap of the flashlight or take out the battery to prevent accidental activation during storage or transportation.

WARNING

- ! Keep out of reach of children;
- ! The brightness of this product is extremely high. Do not look directly at the illuminator to avoid visual damage;
- ! Do not come into contact with corrosive substances, avoid getting close to fire and prevent accidents.

Warranty Card

Dear Users,
Thank you very much for purchasing Brinyte product. Please store the warranty card, value added card, and purchase proof, and provide them to your merchant to claim the warranty. We will provide warranty service in accordance with our warranty policy.

Customer Name	Tel	Email
Address		
Model No.	Serial No.	Purchase Date
Store Name	Tel	
Address		
Problem Description		

WARRANTY POLICY

- 30-day free replacement: If your BRINYTE flashlight is defective in material and/or workmanship under normal use within 30 days from the date of purchase, we will replace or repair it with proof of purchase; If the model is discontinued, we will replace it with a similar updated model (all the shipping cost is afforded by seller);
- 2-year free repairs: BRINYTE provides free warranty repair for 2 years (1 year warranty period for accessories) from the date of purchase with proof of purchase. Except for consumables, such as O-rings, lanyard, etc. (Buyer is in charge of the shipping cost for sending back to seller, seller is in charge of the shipping cost for returning);
- Limited lifetime warranty: If repair is required beyond the warranty period, Brinyte will not charge fees for labor costs associated with the repair. The total repair fee is assessed according to the cost of the replaced materials (Buyer is responsible for all the shipping costs);
- Please first contact your local merchant for warranty claims for prompter after-sales service. BRINYTE will provide service support to the merchant. If you fail to get in touch with your local merchant, please leave a message on our official website(www.brinyte.com).

Note:

- Except the products and accessories listed above, other products or free offers provided by brinyte are not covered within this warranty policy. This warranty does not cover consumables or normal wear-and-tear. It also does not apply to any products or parts which have been subject to modification, misuse, abuse, accident, improper maintenance, unauthorized repairs;
- To make a warranty claim, please provide the proof of purchase; if it can't be offered, the warranty period will be calculated from the factory delivery time;
- Brinyte Technology Co., Ltd. reserves the final right to interpret and modify this policy.